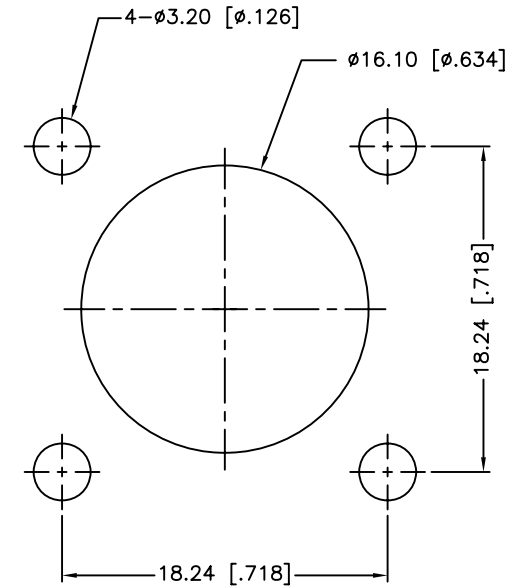
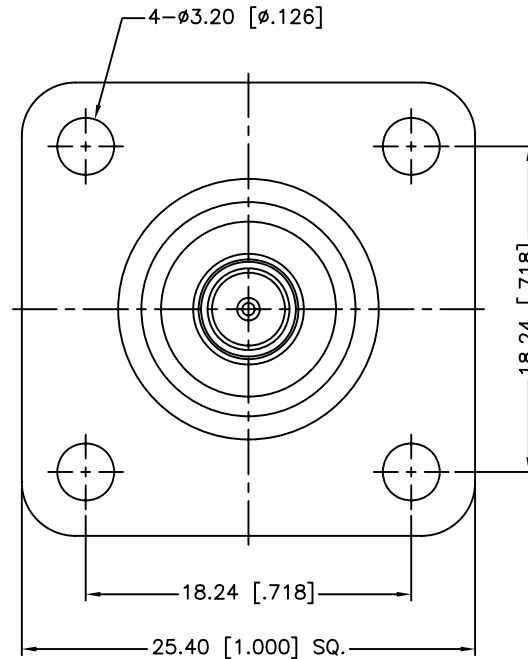
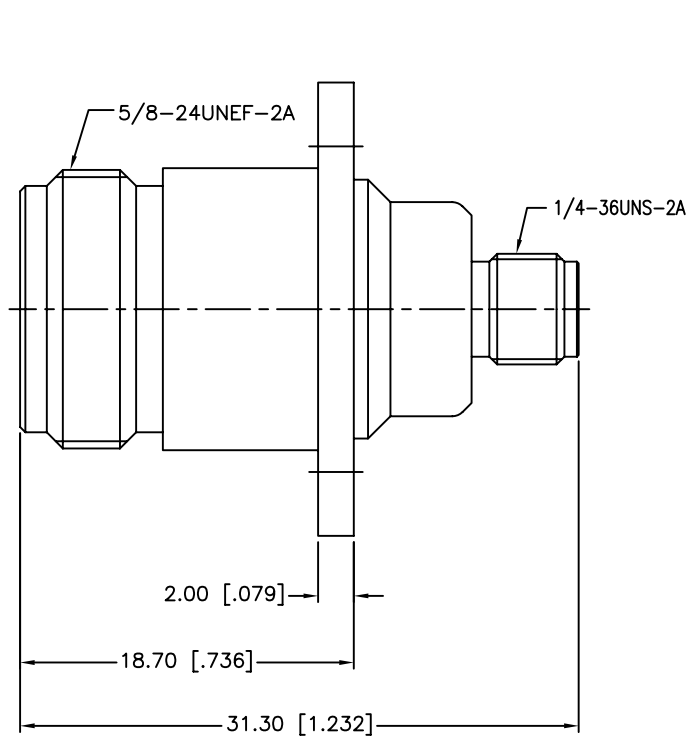


REV.	DATE	ECR NO.	DESCRIPTION
NC	09/22/02	XXXXXX	INITIAL RELEASE
A	11/29/11	2260	ADD NOTES
B	12/21/11	2268	ADD RECOMMENDED PANEL CUTOUT



RECOMMENDED
PANEL CUTOUT

1. IMPEDANCE:50 OHM
2. FREQUENCY RANGE: 0-11 GHz
3. DIELECTRIC WITHSTANDING VOLTAGE:1000 VRMS. MIN.
4. DURABILITY:500 CYCLES MIN.
5. TEMPERATURE RANGE:-65°C TO +165°C
6. CONTACT PIN MUST WITHSTAND 6 LBS. MIN. PULL FORCES.

QTY	DESCRIPTION	MATERIAL	FINISH
4	BODY	BRASS	NICKEL
3	CONTACT PIN	PHOSPHOR BRONZE	GOLD
2	INSULATOR	PTFE	NATURAL
1	BODY WITH PANEL	BRASS	NICKEL

UNLESS OTHERWISE SPECIFIED DIMENSIONS ARE IN MILLIMETERS. DIMENSIONS IN [] ARE IN INCHES AND FOR CUSTOMER REFERENCE ONLY.

UNLESS OTHERWISE SPECIFIED TOLERANCES FOR MILLIMETERS ARE:
0.5 - 8mm ± 0.20mm
8 - 30mm ± 0.40mm
30 - 120mm ± 0.50mm

UNLESS OTHERWISE SPECIFIED TOLERANCES FOR INCHES ARE:
.020 - .315 = ± 0.007"
.315 - 1.180 = ± 0.015"
1.180 - 4.724 = ± 0.020"

DO NOT SCALE DRAWING

APPROVALS	DATE
DRAWN M.ZHANG	12/21/11
CHECKED	
ISSUED	
SHEET 1 OF 1	
CAD FILE C:/CONNEX/242163.DWG	

Amphenol Connex

PART DESCRIPTION			
N JACK TO SMA JACK PANEL ADAPTER			
PART NO.		242163	
DWG. NO.	242163.DWG	REV.	B
SIZE	A	SCALE	NA